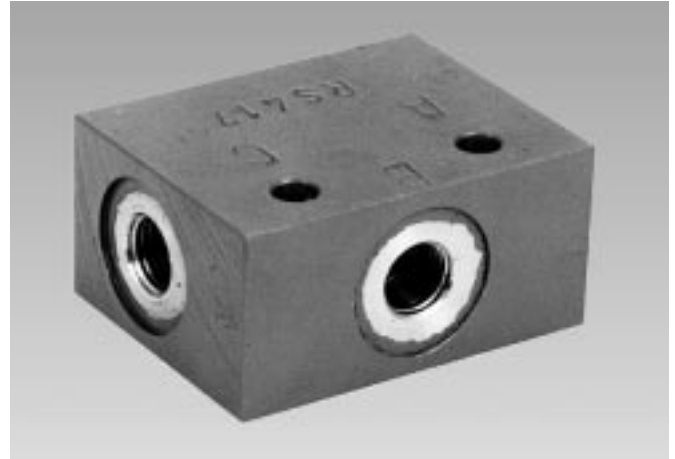


**MANNESMANN  
REXROTH****Shuttle Valve Type RS 417****RE  
64 575/04.89****Size 6****up to 420 bar****up to 12 L/min****Replaces: 10.86****Technical Data**

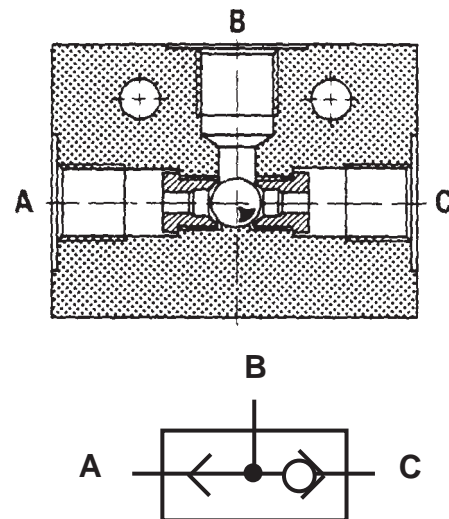
- Installation position: optional
- Max. pressure at ports A, B and C: 420 bar
- Fluids: Mineral oil (HL, HLP) to DIN 51 524  
Phosphate ester (HFD-R)
- Fluid temperature range: -20 to +70°C
- Viscosity range: 10 to 380 mm<sup>2</sup>/s
- Maximum permissible degree of contamination of fluid to NAS 1638 Class 9. To achieve this, we recommend a filter with a retention rate of at least  $\beta_{10} \geq 75$ .
- Weight: 0,7 kg

K3594/4  
Shuttle valve type RS 417**Shuttle valve type RS 417**

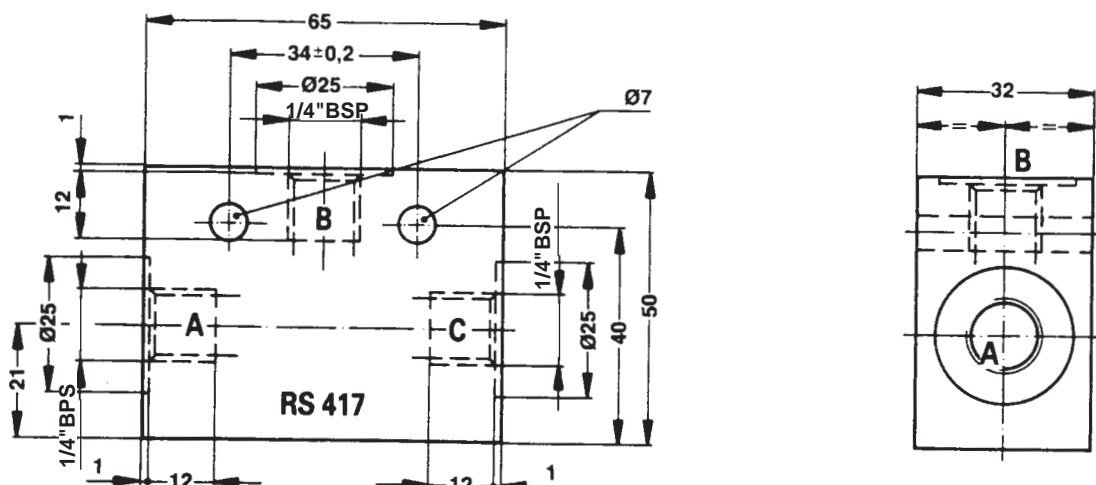
A shuttle valve is used where an actuator may be operated from two sources and where the higher of the two sources must have priority.

The valve has two inlet ports "A" and "C" and one output port "B".

When an inlet port is pressurised and the opposite port is at a lower pressure, the ball seals off the lower pressure port and permits a direct connection to output port "B".

**Unit dimensions**

(in mm)



The pipe threads of ports A, B and C: 1/4"BSP to ISO 228/1



**Mannesmann Rexroth GmbH**  
D-97813 Lohr am Main  
Jahnstraße 3-5 • D-97816 Lohr am Main  
Telefon 0 93 52 / 18-0 • Telefax 0 93 52 / 18-10 40  
Telex 6 89 418

**G.L. Rexroth Ltd.,**  
Cromwell Road,  
St. Neots, Cambs., PE19 2ES  
England  
Tel.: 0480 / 76041, Telex: 32161

