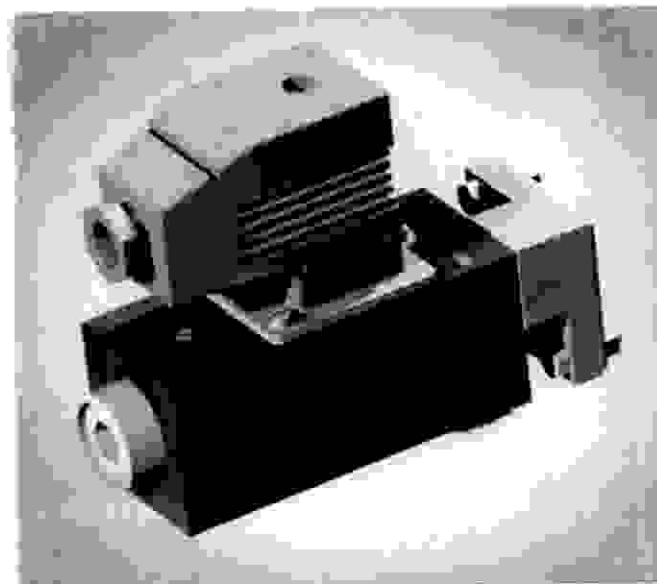


Hydro-electric pressure switch Type HED 8

Series 1X

Maximum operating pressure 350 bar



Type HED 8 OH 1X/.Z15 -IN003

Contents

Description	Page
Features	1
Ordering details	2
Function, section, symbol	3
Technical data	4
Characteristic curves	5
Unit dimensions	6
Connection allocation	7
Circuit examples	7
Ordering code : available seals	8
Ordering details : plug-in connectors	8

Features

- For subplate mounting
- For pipe installation
- For vertical stacking
- 4 pressure ranges
- Plug-in connector with circuitry (indicator lamp)

Function, section, symbol

Hydro-electric pressure switches type HED 8 are piston type pressure switches.

They basically consist of the housing (1), piston (9), compression spring (19), adjustment element (2) and micro switch (5).

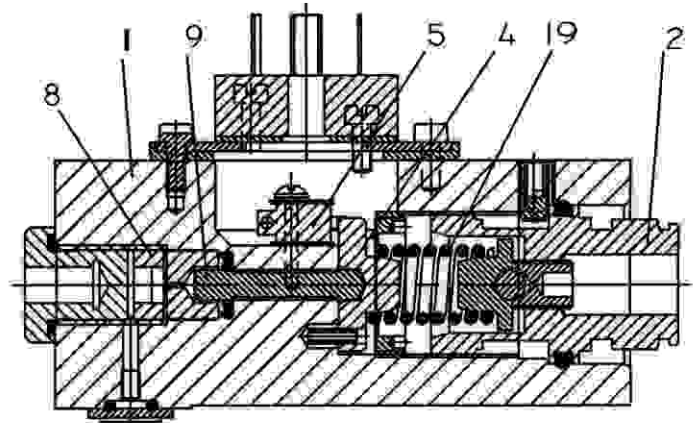
If the pressure to be monitored is below the set value, the micro switch (5) is operated. The pressure to be monitored is applied to the piston (9) via screw jet (8). The piston (9) supported by the spring seat (4) acts against the infinitely variable force of the compression spring (19). The spring seat (4) transfers the movement of the piston (9) to the micro switch (5) and releases the same on reaching the set pressure.

Through this, the electric circuit is switched on or off according to the circuitry. The mechanical stop of the spring seat (4) protects the micro switch (5) during sudden pressure loss from mechanical destruction and prevents the compression spring (19) from blocking if overpressure occurs.

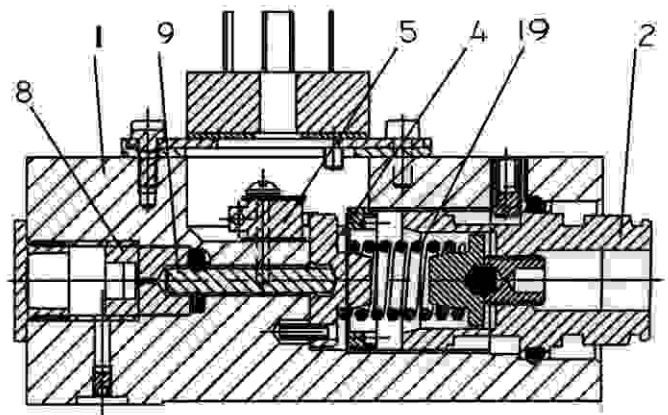
Note:

To increase the service life, the pressure switch should be

- ° mounted vibration proof,
- ° protected from hydraulic pressure shocks.

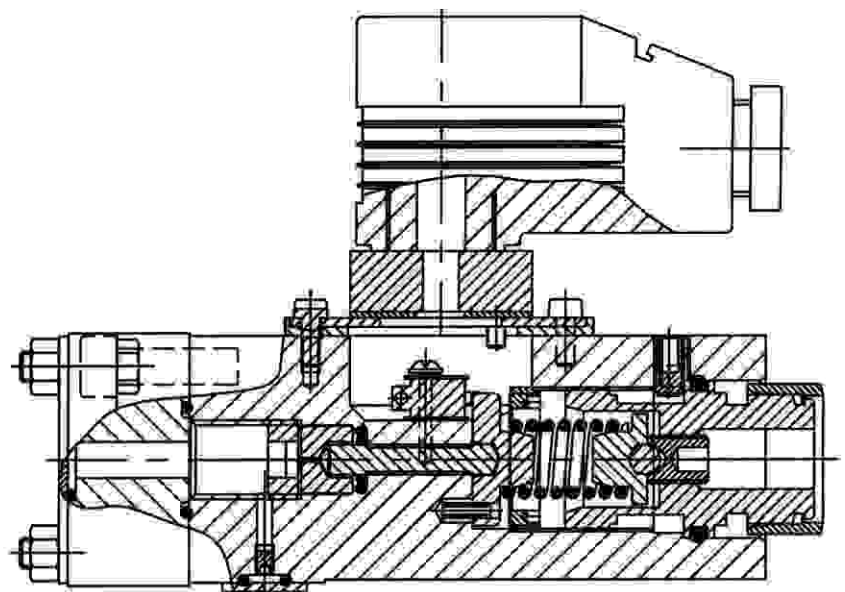
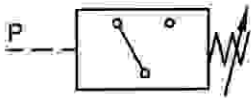


Type HED 8 OP 1X/... -IN003



Type HED 8 OA 1X/... -IN003

Symbol



Type HED 8 OH 1X/Z15..A..-IN003

Technical data (For application outside these parameters, please consult us!)
General

WEIGHT	Kg	1.13
--------	----	------

Hydraulic

Hydraulic fluid		Mineral oil (HL,HLP) to DIN 51 524 Fast bio-degradable hydraulic fluids to VDMA 24 568 (also see RE 90 221); HETG (rape seed oil) ; HEPG (polyglycols) ; HEES (synthetic esters) ; other fluids on request
Hydraulic fluid temperature range	°C	-30 to +80 (for NBR seals)
Viscosity range	mm/s ²	10 to 800
Cleanliness		Max. permissible degree of contamination of the pressure fluid is to NAS 1638 class 9. We, therefore recommend a filter with a minimum retention rate of $\beta \geq \frac{75}{10}$

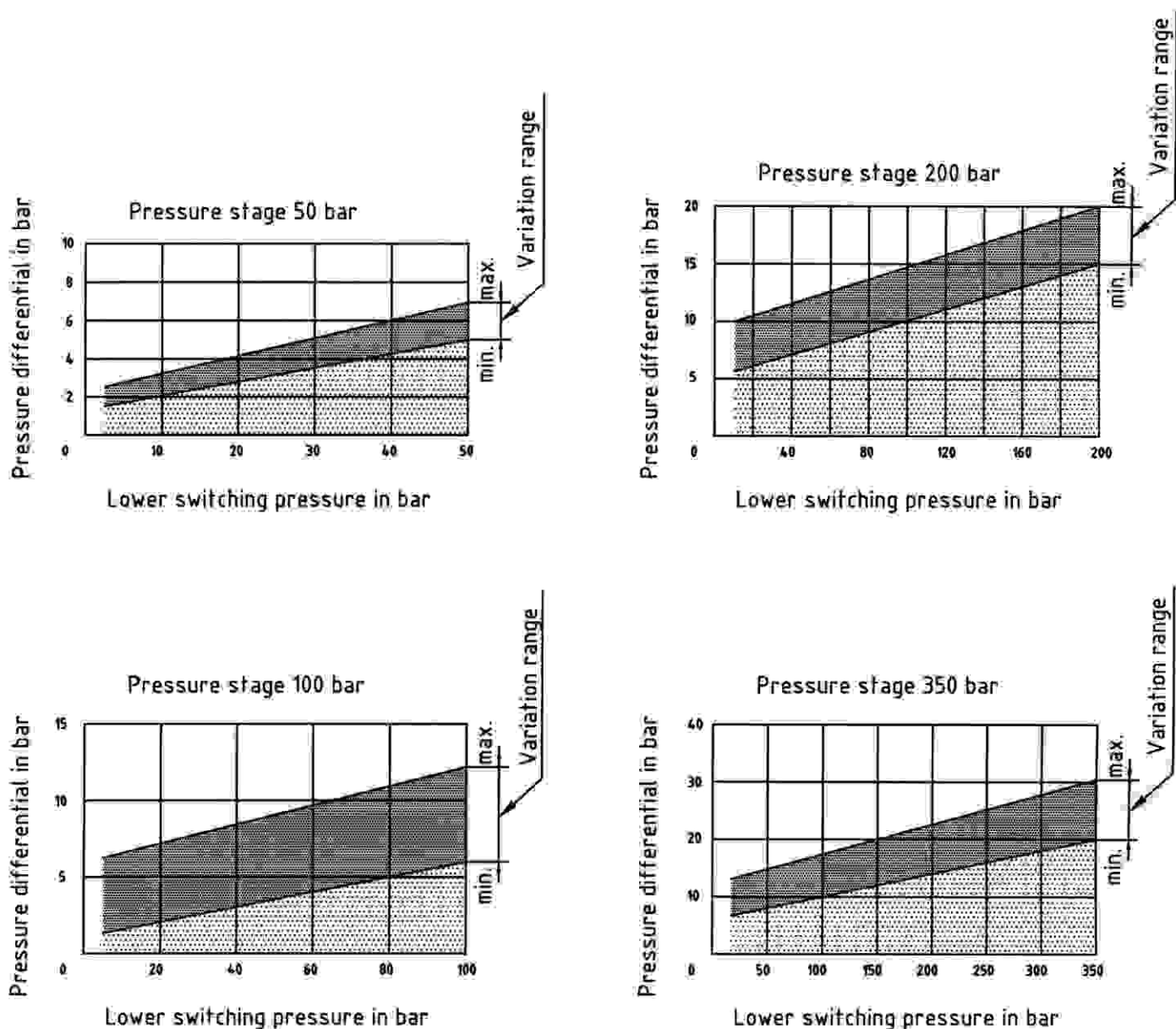
Pressure setting range

Pressure stage (Max. settable pre.) in bar	Max. operating pressure in bar	Pressure setting range in bar
50	350	2 to 50
100	350	5 to 100
200	350	7 to 200
350	500	10 to 350

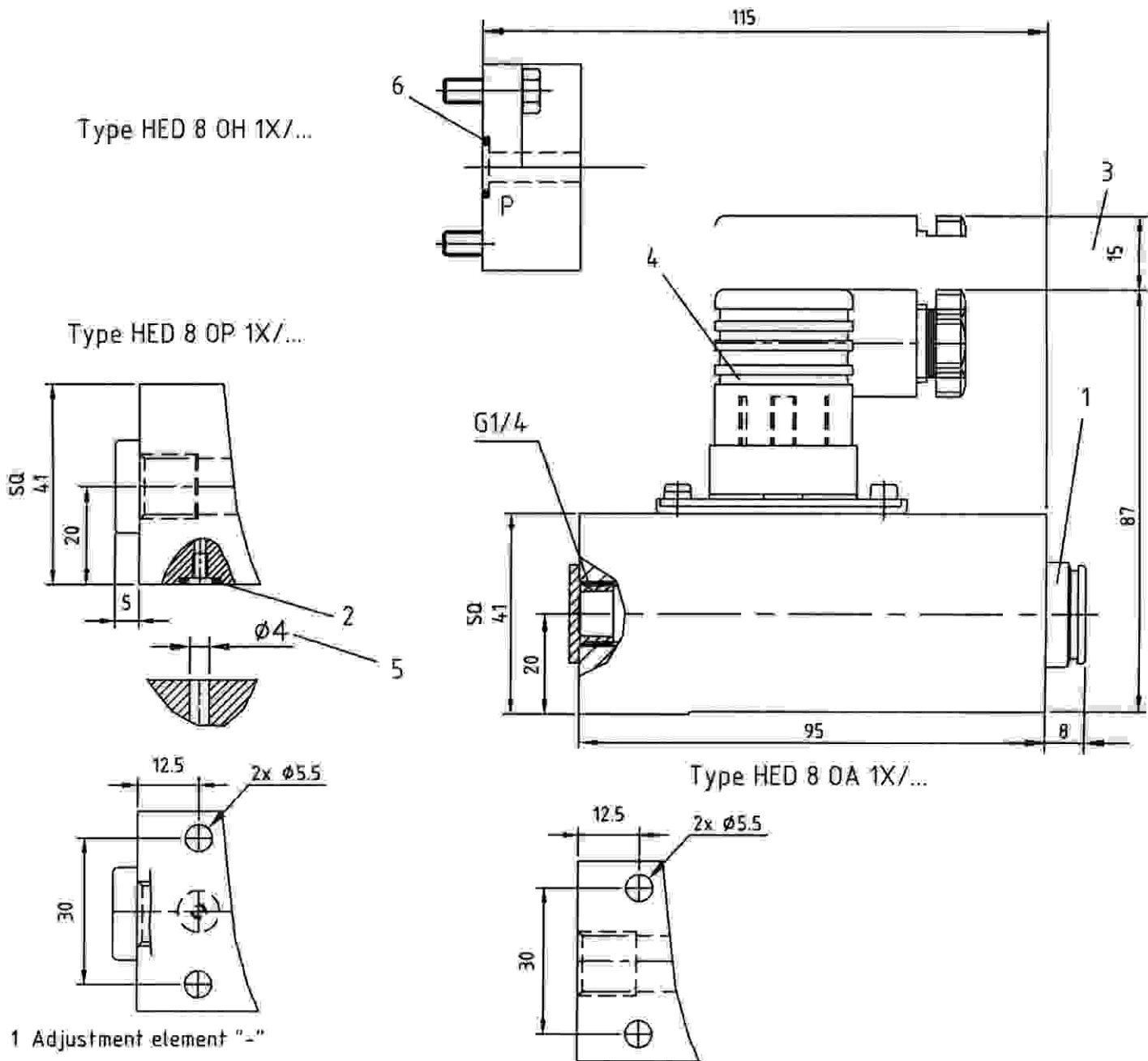
Electrical technical data

Electrical connection		Plug-in connection to DIN 43 650, form A, 3-pin + PE
Max. connection cross sectional area	mm ²	1.5
Contact load, max.	-AC	250 V ; 5A
	-DC	50 V/1 A, 125 V/0.03 A, 250 V/0.02 A

Characteristic curves



Unit dimensions

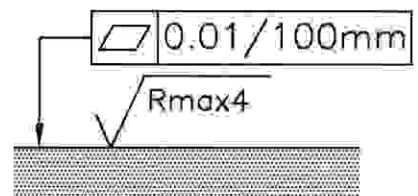


Type HED 8 OH 1X/...

Type HED 8 OP 1X/...

Type HED 8 OA 1X/...

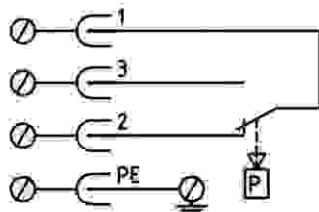
- 1 Adjustment element "-"
- 2 O-Ring 5.28x1.78
- 3 Space required to remove the plug-in connector
- 4 Plug-in connector to DIN 43 650
- 5 Maximum diameter of the mounting surface of the mating piece
- 6 R-Ring: 9.81x1.5x1.78
Pressure switch fixing screws
M5x50 DIN 912-10.9,
tightening torque $M_A=8.9Nm$
must be ordered separately
Pipe thread "BSP" (G) to ISO 228/1



Required surface finish of mating part with version "OP" & "OH"

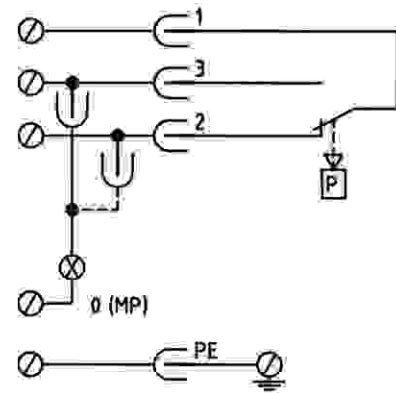
Connection allocation

Without indicator lamp



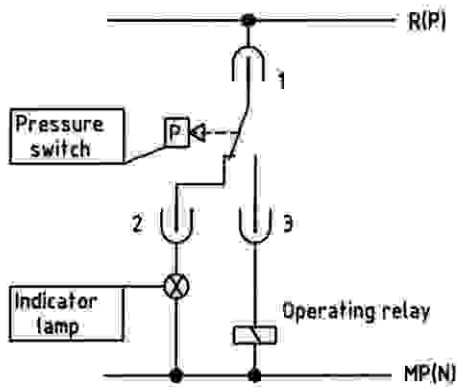
With indicator lamp

The indicator lamp can either be plugged into the N/O contact (3) or N/C contact (2)

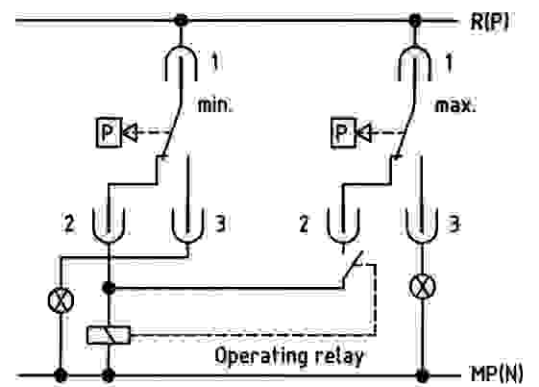


Circuit example

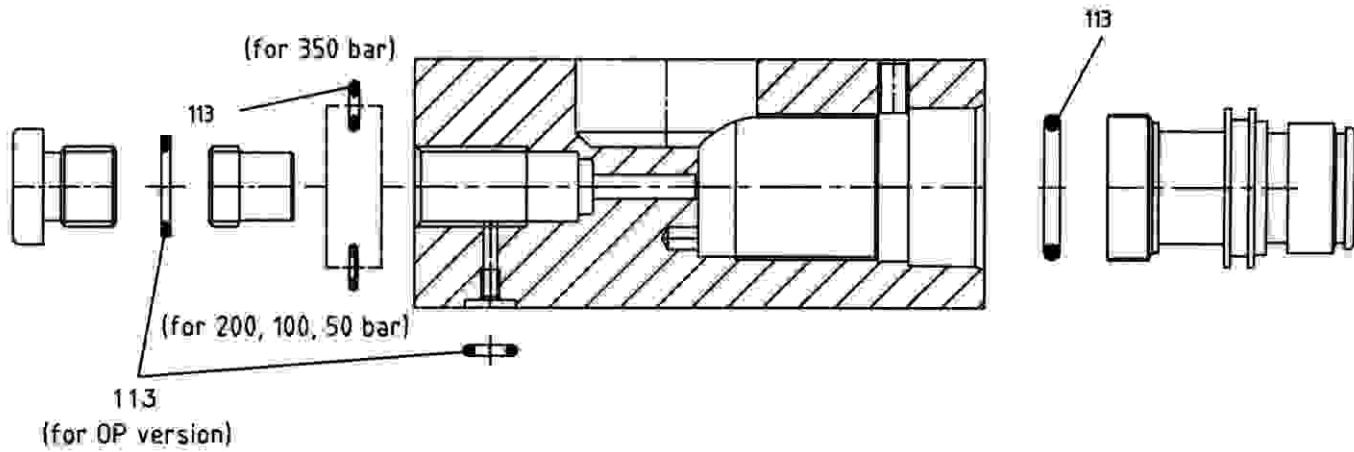
Simple circuit
(1 x HED 8)



Differential connection
with normally open
(2 x HED 8)

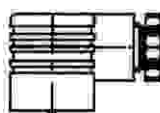



Ordering code : available seals



	Order no.: seal kit, Pos. no.113	
Type	NBR seals	FPM seals
HED8../50,100,200	01581383	01581385
HED8../350	01581384	01581386

Ordering details: plug-in connectors to DIN 43 650 A and ISO 4400 for component plug "K14"

			
	Z14	Z15	
	Material no.		
Colour	Without circuitry		With circuitry (indicator lamp)
			12-48 V 110-220 V
Black	001260	001631	14991013 14991014

Bosch Rexroth (India) Limited
 Vatva 382 445
 Taluka Dascroi
 Dist. Ahmedabad
 Tel - +91 79 5832837/38/39
 Fax - +91 79 5832558

Principal's Address :
 Bosch Rexroth AG
 Rexroth Hydraulics
 D-97813 Lohr am Main
 Jahnstrasse 3-5 x D-97816 Lohr am Main
 Tel - +49 93 52 / 18-0
 Fax - +49 93 52 / 18-2358

The specified data is for product description purposes only and may not be deemed to be guaranteed unless expressly confirmed in the contract.