

RE 50 031/02.00

Replaces: 50 030



**Pressure gauge – Isolator valve
Type AF 6**

Nominal size 6

Series 4X

Maximum operating pressure 300 bar



H16506

Type AF 6 EA4X/X...V

Overview of contents

Contents	Page
Features	1
Ordering details	1
Function, section, symbol	2
Technical data	2
Unit dimensions	3
Installation examples	4
Available seals	4

Features

- 3-way longitudinal valve
- For subplate mounting
- For threaded connections
- Push button operated

Ordering details

	A	F	6	E	4X/	V	*	
Isolator valve	= A							Further details in clear text
Spring return		= F						V = FKM seals
Nominal size 6			= 6					(other seals on request)
Single valve				= E				⚠ Attention!
For threaded connections				= A				The compatibility of the seals and pressure fluid has to be taken into account!
For subplate mounting				= P				
Series 40 to 49 (40 to 49: unchanged installation and connection dimensions)					= 4X			
Without accessories								60 = Indication range up to 60 bar
With accessories (connection piece, 2 seal rings and pressure gauge)								100 = Indication range up to 100 bar
Complete with accessories (as Y with mounting plate)								160 = Indication range up to 160 bar
								250 = Indication range up to 250 bar
								400 = Indication range up to 400 bar

Preferred types and standard components are highlighted in the EPS price list (RDE 00 165).

Function, section, symbol

Pressure gauge isolator valves type AF 6 are 3-way longitudinal valves for manual operation.

They serve to check the prevailing operating pressure from time to time.

The valves basically consist of housing (1), spool (2), pressure spring (3), push button (4) and pressure gauge connection piece (5) it has two switched positions as well as spring return to the initial position.

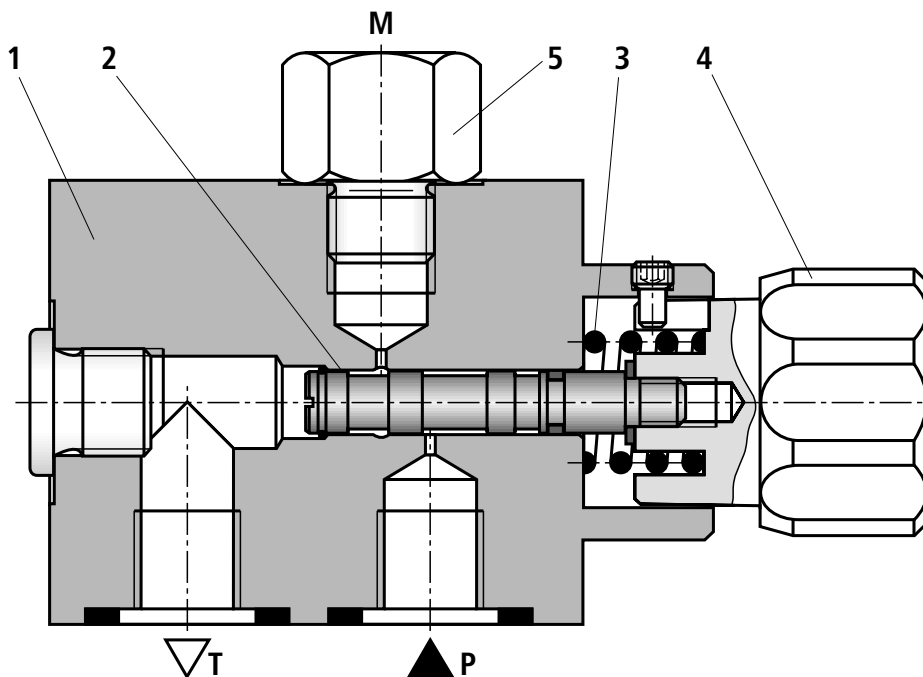
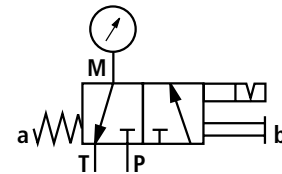
In the initial position, flow from P to the pressure gauge via the spool (2) is blocked and the pressure gauge is connected with T.

When the button (4) is pushed, the spool (2) is moved into the switched position, giving free flow from P to the pressure gauge and the connection to T is blocked. By rotating the push button (4) by 45° the spool (2) can be locked in place via a detent.

After operation, the spool (2) is pushed back into the initial position by the pressure spring (3) and thereby unloads the pressure gauge.

The valve is available for subplate or in-line mounting.

The pressure gauge can be directly screwed in to the valve housing or fitted separately (see installation examples on page 4).

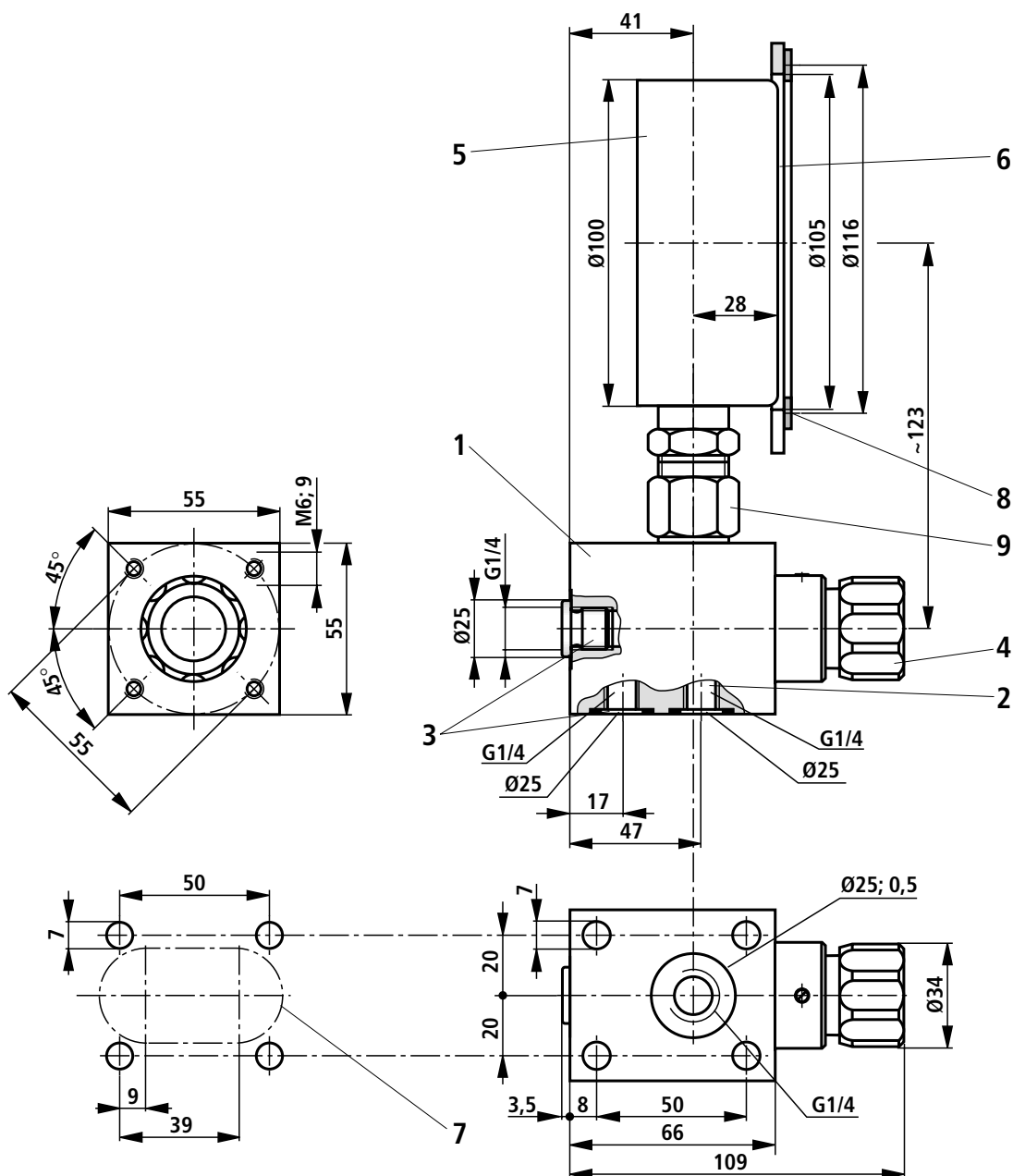


Technical data (for applications outside these parameters, please consult us!)

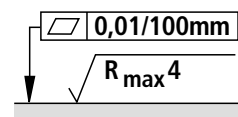
Pressure fluid	Mineral oil (HL, HLP) to DIN 51 524; Fast bio-degradable pressure fluids to VDMA 24 568 (also see RE 90 221); HETG (rape seed oil); HEPG (polyglycole); HEES (synthetic ester); other fluids on request		
Pressure fluid temperature range	°C	- 20 to + 80	
Viscosity range	mm ² /s	2.8 to 500	
Degree of contamination	Maximum degree of contamination of the pressure fluid is to NAS 1638 class 9. We, therefore, recommend a filter with a minimum retention rate of $\beta_{10} \geq 75$.		
Max. operating pressure	- Port P	bar	300
	- Port T	bar	10 (actuation force approx. 10 N)
Pressure gauge indicating range	bar	Up to 60, up to 100, up to 160, up to 250 and up to 400 (the indicating range should be approx. 30 % above the max. operating pressure).	

Unit dimensions

(Dimensions in mm)



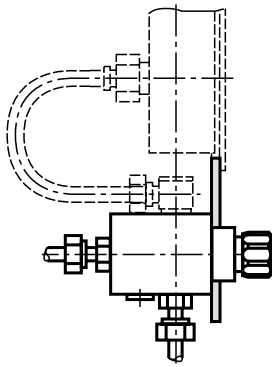
- 1 Pressure gauge isolator valve
- 2 Pressure port (pump)
- 3 Tank port, optional
- 4 Push button, stroke 5 mm
- 5 Glycerine filled pressure gauge \varnothing 100 mm
- 6 Mounting plate
- 7 Panel cut-out
- 8 3 off \varnothing 4.8 holes spaced at 120° intervals
- 9 Tightening torque $M_A = 60$ Nm



Required surface finish of mating piece

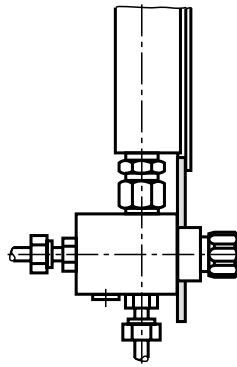
Installation examples

Separately mounted valve and pressure gauge



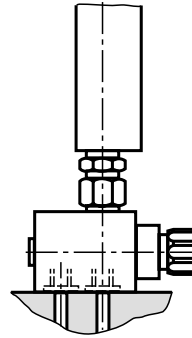
Type AF 6 EA4X/X...V

Panel mounting version with mounting plate



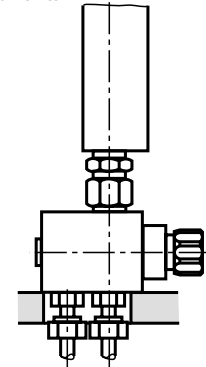
Type AF 6 EA4X/Z...V

Valve for subplate mounting with pressure gauge ¹⁾



Type AF 6 EP4X/Y...V

Subplate mounting (piped) with pressure gauge and connection components ¹⁾



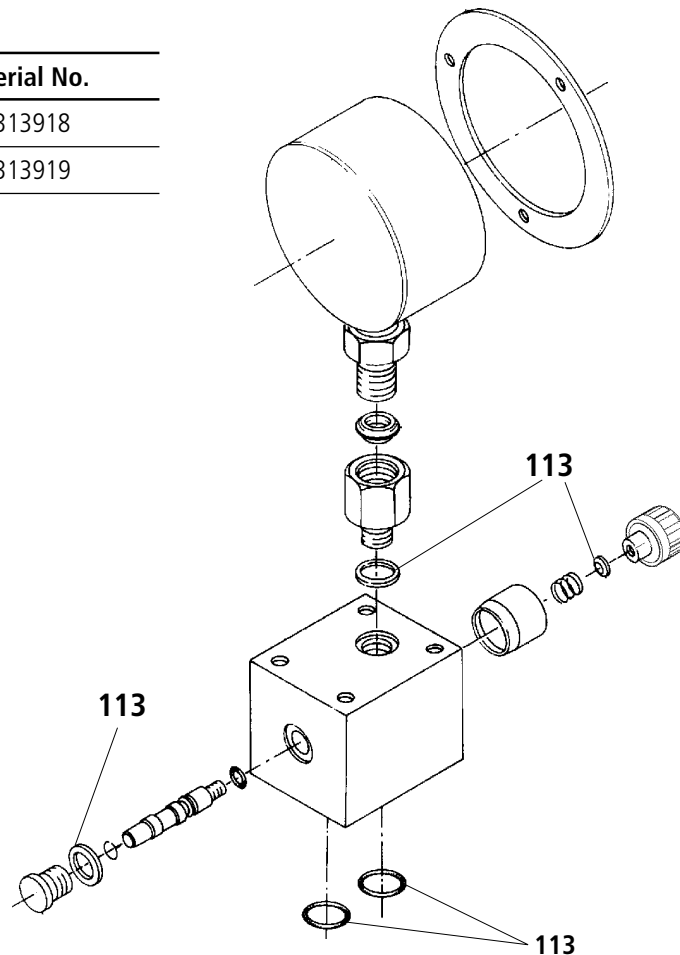
Type AF 6 EA4X/Y...V

¹⁾ 4 off **valve fixing screws**
M6 x 65 DIN 912-10.9, black, phosphated (oiled),
 $M_A = 15.5 \text{ Nm}$, must be ordered separately.

Ordering details: available seals

Seal kit – Valve

Pos.	Seal material	Material No.
113	NBR seals	00313918
	FKM seals	00313919



Mannemann Rexroth AG Rexroth Hydraulics

D-97813 Lohr am Main
Jahnstraße 3-5 • D-97816 Lohr am Main
Telefon 0 93 52 / 18-0
Telefax 0 93 52 / 18-23 58 • Telex 6 89 418-0
eMail product.support@rexroth.de
Internet www.rexroth.com

Mannemann Rexroth Limited

Cromwell Road, St Neots,
Cambs, PE19 2ES
Tel: 0 14 80/22 32 56
Fax: 0 14 80/21 90 52
E-mail: info@rexroth.co.uk

The specified data is for product description purposes only and may not be deemed to be guaranteed unless expressly confirmed in the contract.